

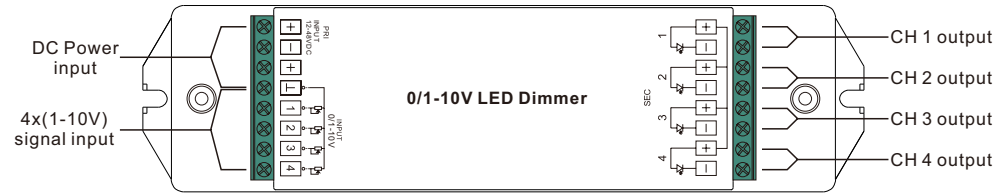
# 0/1-10V LED Dimmer

70080002



**Important:** Read All Instructions Prior to Installation

## Function introduction



## Product Data

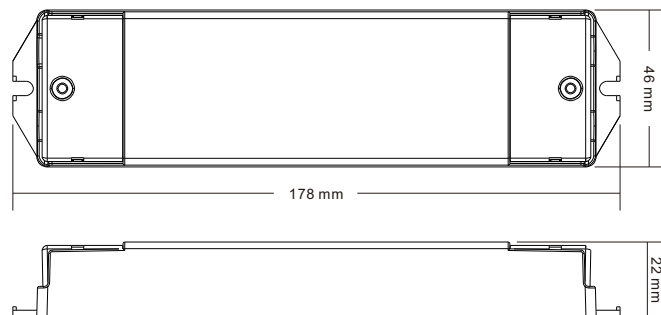
No.	Input Voltage	Output Current	Output Power	Connector Current Rating	Wire Size	Remarks	Size(LxWxH)
1	12-48VDC	4x5A@12-36VDC 4x2.5A@48VDC	4x(60-180)W@12-36VDC 4x120W@48VDC	Max. 10A	0.32-3.3mm <sup>2</sup> (12-22AWG)	Constant voltage	178x46x22mm
2	12-48VDC	4x350mA	4x(4.2-16.8)W	Max. 10A	0.32-3.3mm <sup>2</sup> (12-22AWG)	Constant current	178x46x22mm
3	12-48VDC	4x700mA	4x(8.4-33.6)W	Max. 10A	0.32-3.3mm <sup>2</sup> (12-22AWG)	Constant current	178x46x22mm

- With 4 Channel 0/1-10V signal Input, 4 Channels PWM Output
- Analog dim driver, receive standard 0/1-10V dim signal input
- 0-100% dimming range via logarithmic characteristic , perfect for human's vision
- 256 levels of Grey scales, smoothly without any flash
- To work with power repeater to expand output unlimitedly.
- Can coordinate with 0/1-10V regulator or 0/1-10V dimmer to do analog dimming ,smooth dimming curve, be in direct proportion to voltage curve of regular.
- Waterproof grade: IP20

## Safety & Warnings

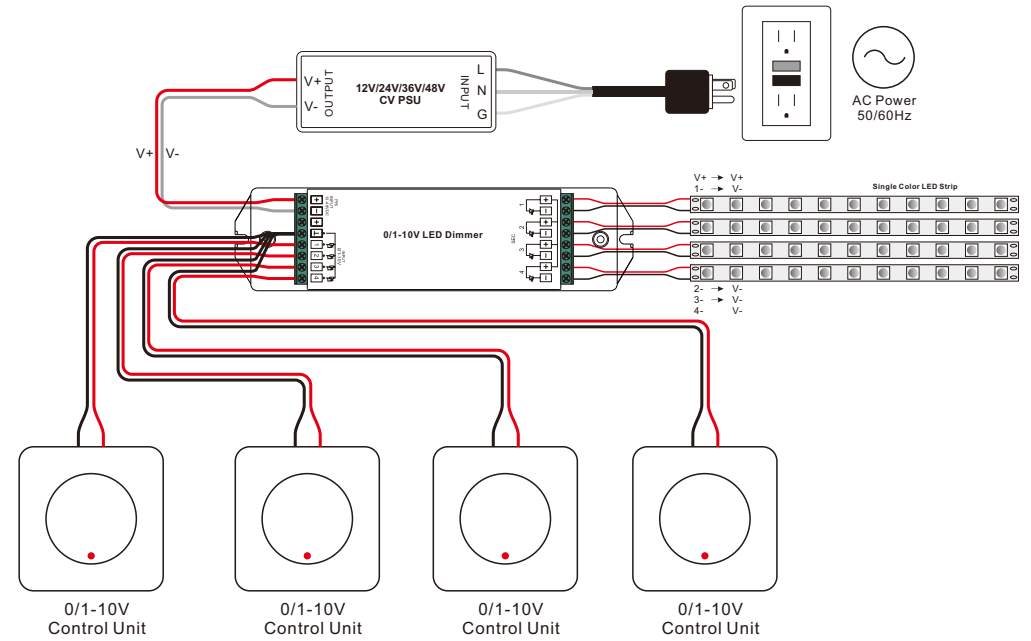
- DO NOT install with power applied to device.
- DO NOT expose the device to moisture.

## Product Dimension



## Wiring Diagram

1) When total load of each LED controller is not over 10A



2) When total load of each LED controller is over 10A

